



Security locks



Index

MULTIPOINT MORTICE LOCKS	
• TLB	4
• TLP	6
• CANB	8
PANIC MORTICE LOCKS	
• TLBA3, TCBA, R20AB	9
MORTICE SINGLE POINT	
• R100/ R200B	10
• TCB	10
• R200N	11
MULTIPOINT RIM LOCKS	
• TS30	12
• TS50	12
SINGLE POINT RIM LOCKS	
• TS10	13
• TAS-1	13
• 2110, 2111, 2112, 2101	14
ACCESORIOS Y COMPLEMENTOS	
• FACEPLATE EXTENSION SUPPLEMENTS	15
• HINGE REINFORCEMENT BOLTS	15
• FLOOR STRIKES	16
• SECURITY ESCUTCHEONS	18

Introduction

With the launching of the TLP multipoint lock range, TESA created in the '80s the guidelines to follow in the concepts of the security lock.

Since then, many innovations have been incorporated that have established the TESA security range as one of the most complete in the European market: Roller bolt locking systems; Z-profile multipoint range; drill resistant security escutcheons etc...

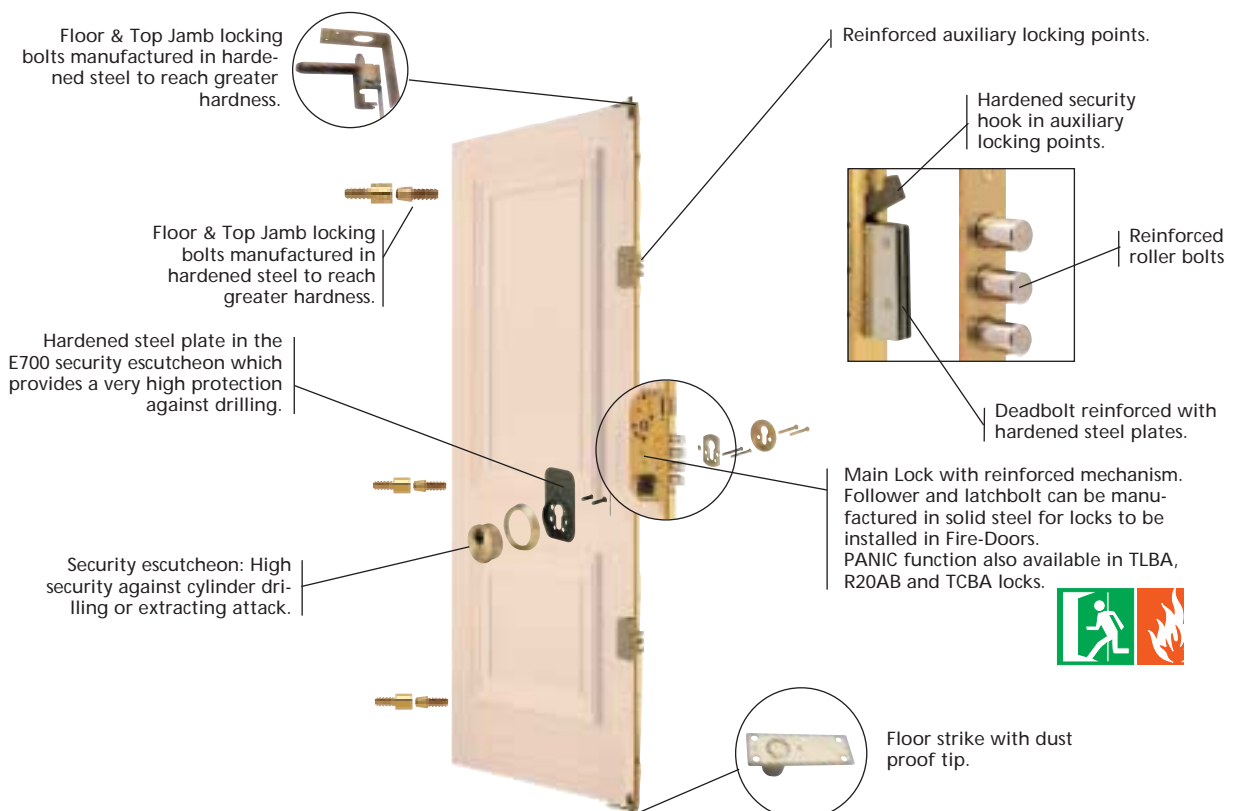
TESA, since its founding in 1941 has aimed at meeting its compromise to guarantee integral quality, a compromise which has been confirmed when the company was awarded in '94 the ISO9001 certification, and in '99, as a pioneer in the field, the ISO14001 certification for environmental awareness.

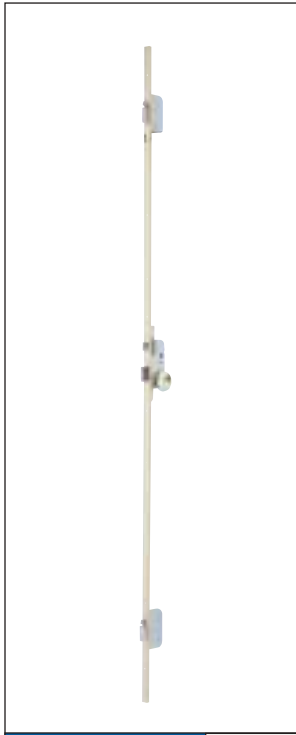


Finishes

LP: Polished brass	
LT: Satin brass	LN: Nickel plated brass
HL: Brass plated steel	HN: Nickel plated steel
AE: Gold enamelled steel	AC: Light grey enamelled steel

The TESA global security concept





TLP

6



TLB

4



CANB

8



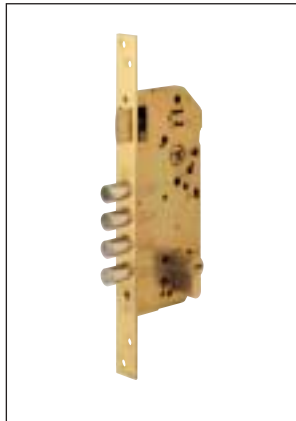
TS

12



R200N

10



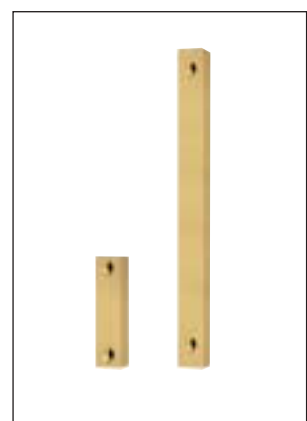
R200B

10



TCB

11



Supplements

15



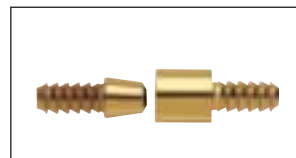
2110

14



Sec. escutcheons

18



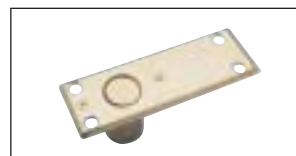
RB03

15



Sec. escutcheons

18



Floor strike

15

Introduction

TLB PLUS and TLB PREMIUM are two new series of TESA multipoint security locks currently reaching new heights of anti-intrusion security.

TLB PLUS goes one step further than the rest of the market. It features an anticard security device and the E700 colour shade with a plate of tempered steel. Not only that, the TLB PLUS lock also offers new user-friendly functions.

TLB PREMIUM is the maximum symbol of security. It is way above the specifications required by current regulations. This is achieved by incorporating new constructive features and completely new mechanisms.



The most important new feature of the TLB PLUS series is the addition of the anticard security lock, so far unheard of in multipoint security locks.

Another great improvement comes with its new mechanism which projects bolts through the handle in the TPB3 and TPG3 models. By simply turning the handle upwards every closing point is immediately triggered.

TPB3 and TPG3 also feature exit panic devices in order to unblock from the inside in an equally easy way. Turning the handle downwards the door will open immediately.

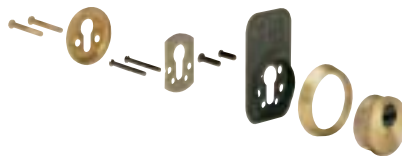
The TLB PLUS has been equipped with High Security parts, incorporating the E700 strike with protection plate in tempered steel, and long strike with a lock protecting the main closing point.

TECHNICAL FEATURES:

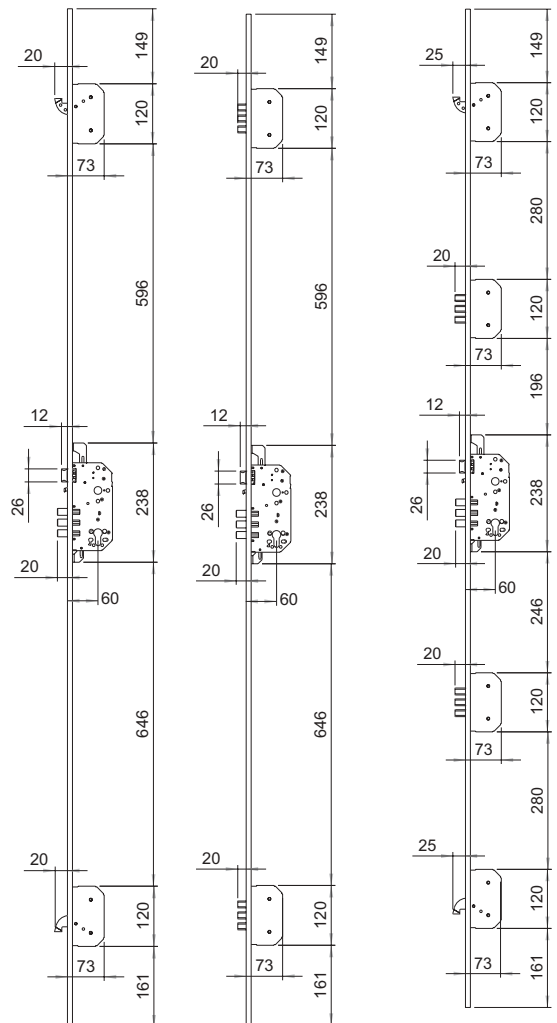
- Anticard security device.
- Bolt Projection device (except TDB/G).
- Exit panic device (except TDB/G).
- Front and strike manufactured in steel.
- Distance between each axis: 85 mm.
- 60 mm. backset.
- TPB3 and TPG3 models with three front points with bolt or hook auxiliary locks.
- E700 strike with antidrill plate in tempered steel and six screws for fixing.
- Compatible with E800 strike (optional).
- Long strike with central lock and regulation of latch in widths of 40 mm. (standard) and 45mm. (optional).
- Closed, galvanized steel locks containing mechanisms.
- TDB3 and TDBF models with three and five front points with no bolt projection and no panic device.



LONG STRIKE WITH CENTRAL LOCK



E700



TPG3
TDG3

TPB3
TDB3

TDBF

The new TLB Premium series arrives in the market offering first class security. Many systems featured in Premium are completely new in the field of multipoint security locks.

- New mechanism with independent blocking in each closing point: if one of the closing points is broken, the rest will remain unaltered, keeping the door blocked.
- Resistance to levering in the upper central closing point of more than 2200 lb.
- New solid hook auxiliary locks in steel and anchoring in closed steel locks in the strike. Huge resistance to levering between blade and frame. More than 1300 lb. in each hook.
- New High Security E800 strike and E850 protection plate (optional). Protection of the cylinder and mechanisms makes it virtually inexpugnable.
- Besides all this, Premium also features an anticard security device.

TECHNICAL FEATURES:

- Independent closing points blocking system.
- Anticard security device.
- Latch, bolts and hooks in solid steel.
- Front and strike manufactured in steel.
- Distance between each axis of 85 mm.
- 60 mm. backset.
- XT3 and XT5 models with three and five front points.
- E800 strike:
 - Nucleus and sleeve in reinforced solid steel.
 - 9mm. thick internode protector in reinforced steel.
 - Antidrill balls for body protection.
 - Fastening with four screws in improved steel.
 - Optional E850 plate with 6 mm. thick tempered steel protection and block anchoring crossing both the door and the lock.
- Long strike with central protection lock and regulation of latch, as well as closed protection locks for hooks. Available in widths of 40 mm. (standard) and 45 mm. (optional).
- Closed locks containing mechanisms, in galvanized steel.



CENTRAL MECHANISM



HOOK AUXILIARY LOCK



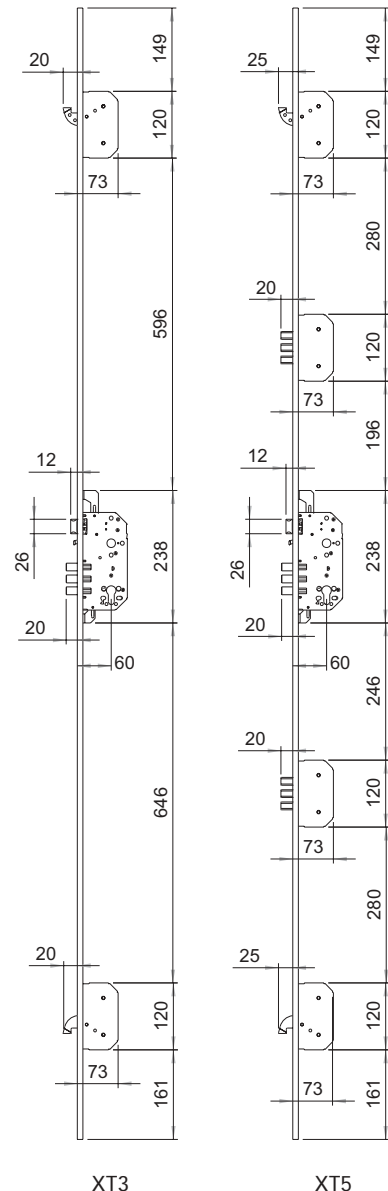
E800 STRIKE AND E850



HOOK ANCHORING



LONG STRIKE WITH CENTRAL LOCK



Mortise multipoint


TESA		TLB series			
TLB3	T2B3	TLBF		TLB5	
Model	Frontal locking points	Floor&Top Jamb locking points	E700L sec. escutcheon	E300L sec. escutcheon	Silent Latchbolt
TLB3	3	-	YES	-	-
T2B3	3	-	-	YES	-
TSB3	3	-	YES	-	YES
TLBA3	3	-	YES	-	-
TLB5	3	2	YES	-	-
TSB5	3	2	YES	-	YES
T2B5	3	2	-	YES	-
TLBF	5	-	-	YES	-

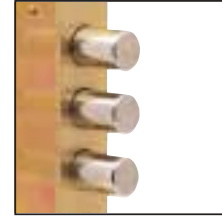
Mortise multipoint

TESA

TLB series

Features

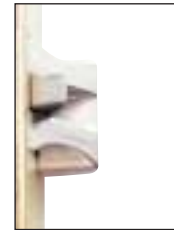
- Circular roller bolts in the main lock. (Ø14mm. diameter).
- Plane edge roller bolts in auxiliary locks.
- Mechanisms protected in galvanised steel closed cases.
- Floor & Top Jamb locking bolts in hardened steel (TLB5).
- Steel made Floor & Top Jamb strikes. Floor strike includes dust proof lid. 
- "U" profile steel faceplate provides great strength and is ideal for Fire Doors.
- Auxiliary locks mechanisms provided with anti-return system.
- Full size strikeplates are 40mm. width. Optional 35mm and 45mm. width also available. Standard height is 2.028mm. Optionally, 2035mm. height is also available.
- Standard faceplate has a 20x10mm. profile. Faceplates with a 20mmx7,5mm. profile can be ordered optionally in T2B3, TLB3, T2B5, TLB5 series locks.
- It is also possible to include the EMB700 scratch-saver escutcheon rose.



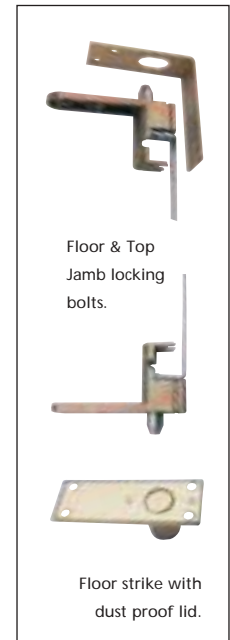
Rounded roller bolts



Plane edge roller bolts.



Silent latch
TSB3/TSB5



Floor & Top
Jamb locking
bolts.

Floor strike with
dust proof lid.



Scratch-saver
escutcheon rose.



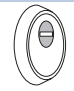
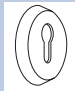
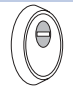
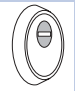
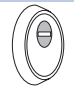

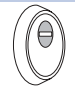
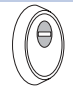
1/4 units



"U" profile faceplates

Door height	T2B3, TLB3 and TLBF	T2B5, TLB5
Standard	2030mm.	2030mm.
Minimum	1850 mm.	1875 mm.
Maximum w/o top jamb locking bolt extension	No limit	2230 mm.
Maximum with top jamb locking bolt extension	-----	2390 mm.

Standard equipment

Model	TLB3	T2B3	TSB3	TLBA3	TLB5	T2B5	TSB5	TLBF
Short strike plates	●	●	●		●	●	●	
Full size strike plate (40mm. width)	●	●	●	●	●	●	●	
Full size strike plate (40mm. width) + adjustable latchbolt feature					●	●	●	●
Security escutcheon (See pages 18-19)								
	E700L	E300L	E700L	E700L	E700L	E300L	E700L	E700L
Finishes available	AE / HN	AE / HN	AE / HN	AE / LT	AE / HN	AE / HN	AE / HN	AE / LT
	AI / AC	AI / AC	AI / AC	AI / AC	AI / AC	AI / AC	AI / AC	AI / AC

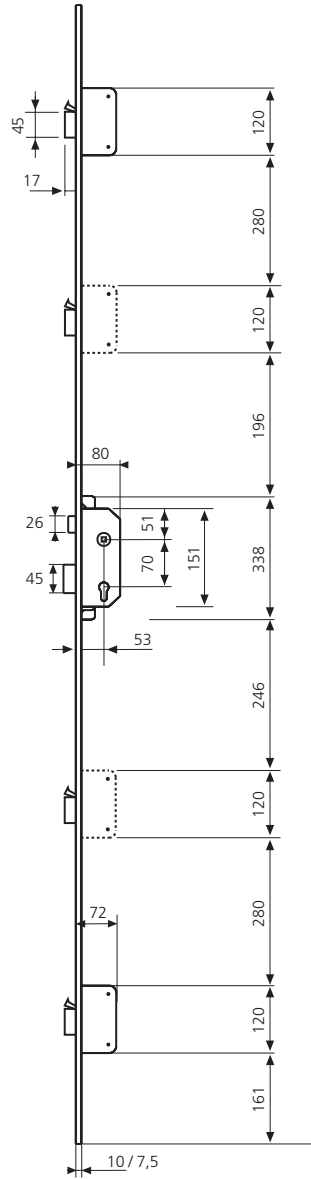
Mortise multipoint

TESA TLP series

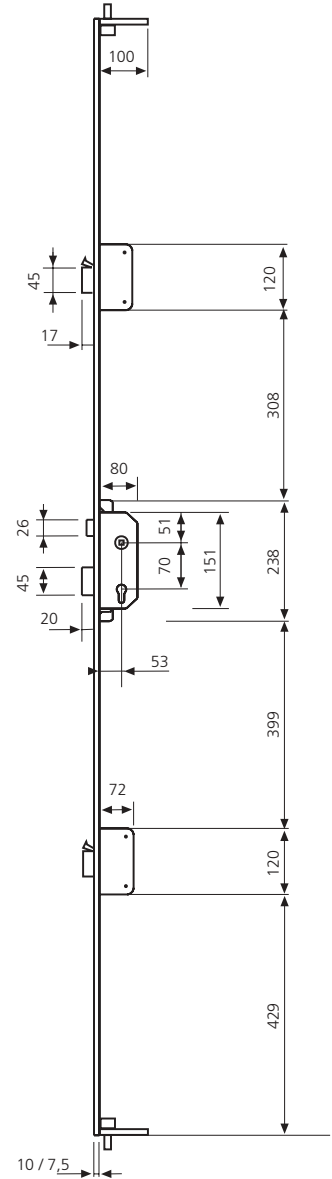


TLPN3
TLPS3

TLPF



TLPN5
TLPS5




Model	Frontal locking points	Floor&Top Jamb locking points	E700L sec. escutcheon	E300L sec. escutcheon
TLPN3	3	-	YES	-
TLPS3	3	-	-	YES
TLPF	5	-	YES	-
TLPN5	3	2	YES	-
TLPS5	3	2	-	YES

Mortise multipoint

TESA

TLP series

- Deadbolts reinforced with hardened steel plates. (Models TLPN3/TLPN5/TLPF).
- Solid steel deadbolts in auxiliary locks (TLPS3/TLPS5)
- Mechanisms protected in galvanised steel closed cases.
- Floor & Top Jamb locking bolts in hardened steel (TLB5).
- Steel made Floor & Top Jamb strikes. Floor strike includes dust proof lid.
- "U" profile steel faceplate provides great strength and it is ideal for Fire Doors. 
- Auxiliary locks mechanisms provided with anti-return system.
- Full size strikeplates are 40mm. width. Optional 35mm and 45mm. width also available.
- Standard strike height is 2.028mm. Optionally, 2035mm. height is also available.
- Standard faceplate has a 20x10mm. profile. Faceplates with a 20mmx7,5mm. profile can be ordered optionally in T2B3, TLB3, T2B5, TLB5 series locks.
- It is also possible to include the EMB700 scratch-saver escutcheon rose.



TLPS3/ TLPS5



TLPN3/ TLPN5/
TLPF

Hardened steel hook

Reinforced deadbolt



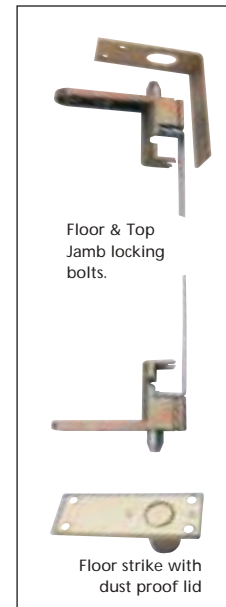
"U" profile faceplates



1/4 units



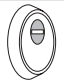

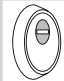
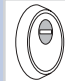

Scratch-saver
escutcheon
rose



Floor & Top
Jamb locking
bolts.

Floor strike with
dust proof lid

Door height	TLP3 & TLPF	TLP5
Standard	2030mm.	2030mm.
Minimum	1850 mm.	1875 mm.
Maximum w/o top jamb locking bolt extension	No limit	2230 mm.
Maximum with top jamb locking bolt extension	-----	2390 mm.

Model	TLPN3	TLPS3	TLPF	TLPN5	TLPS5
Short strike plates	●	●		●	●
Full size strike plate (40mm. width)	●	●		●	●
Full size strike plate (40mm. width) with adjustable latchbolt feature			●		
Hardened steel hook	●		●	●	
Security escutcheon (See pages 18-19)					
Finishes available	AE / HN AI / AC	AE / HN AI / AC	AE / LT AI / AC	AE / HN AI / AC	AE / HN AI / AC

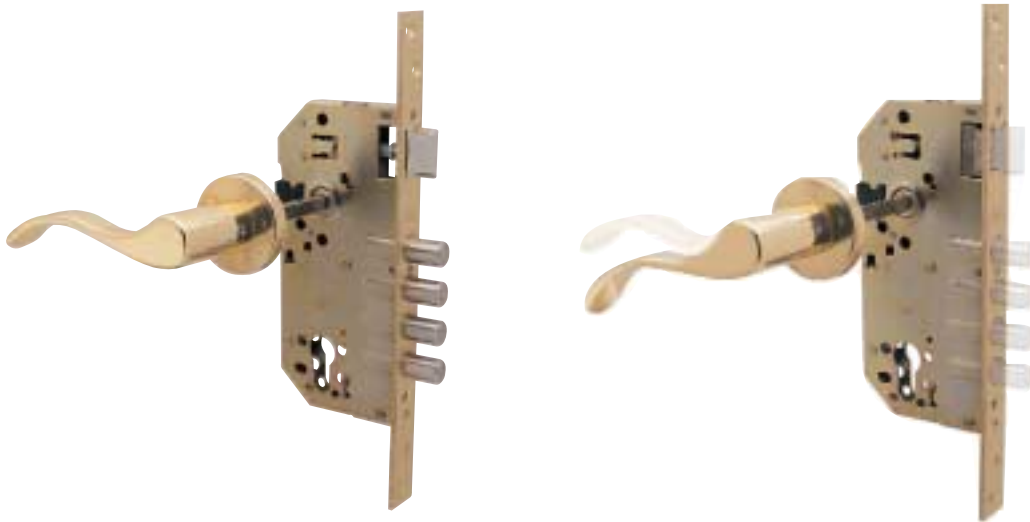
Mortise multipoint

	Z-Profile CANB series
<p>CANB3</p>	<p>CANBF</p>
<p>40,45 Cerradero</p>	<p>Ø14 17 80 20 50 85 175 72 A A'</p>
<ul style="list-style-type: none"> • Z-profile faceplate that completely covers the door edge, thus easing the lock installation and reaching higher levels of aesthetic appearance. • Circular roller bolts in the main lock. (ø14mm. diameter). • Anodised aluminium faceplate in polished gold finish. • Rubber weather strip that assures a hermetic shutting and eliminates noise. • E700L security escutcheon included. • The EMB700 scratch-saver escutcheon rose is included. • Mechanisms protected in galvanised steel closed cases. • Auxiliary locks mechanisms provided with anti-return system. • 50mm. standard backset, 60mm. backset is also available. • Three or five frontal locking points, for both right or left handed doors, and for 40mm. or 45mm. door width. • Faceplate is 2030mm. long and can optionally be made in 2.110mm. • Full size strike plates of 40mm. or 45mm. width. Standard height is 2.028mm. Optionally, 2035mm. height is also available. • Also available full size, single-hole strike plates for CANB3 models. (One single hole for each group of roller bolts, see page 16/SE). • Enamelled in AE/AC 	
1/4 units	

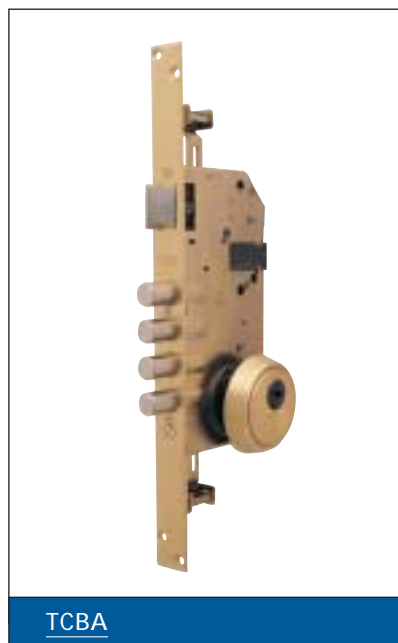
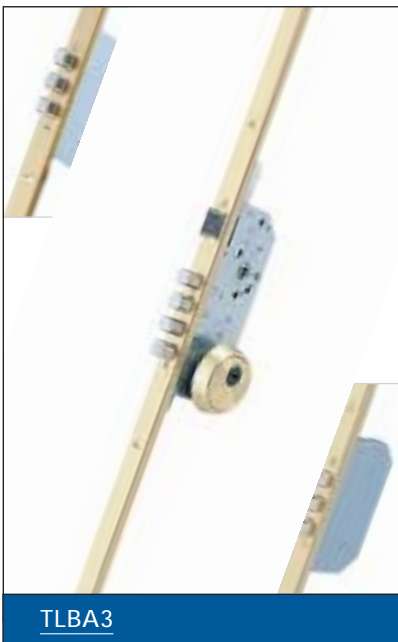
Panic mortise locks

TESA *Panic series*

TESA panic locks resolve the two main problems that we face in an entrance door: material goods protection and the security of the public. Whenever a panic situation might arise, the panic function will **always** allow free exit from the inside of the dwelling, even though the bolts have been deadlocked.




The handle action on the follower withdraws at the same time the latchbolt and roller-bolts.




Single point mortise locks

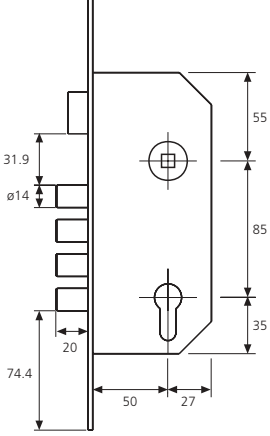
TESA
R200B/R20AB/R201B/ - R100B/ R101B Series

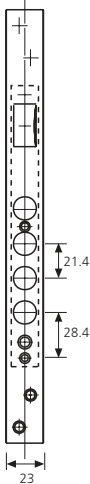


R200B/ R20AB




R100B






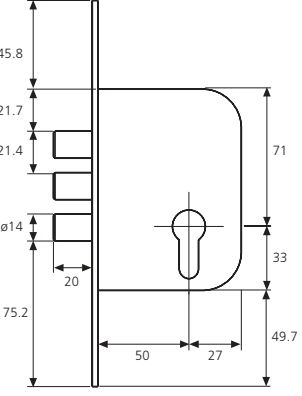
- Four roller bolts in nickel plated steel. Ø 14mm. diameter.
- Three roller bolts in R101B and R201B model.
- Mechanisms protected in zinc plated steel closed case in R200B model and galvanised steel closed case in R100B model.
- R201B and R101B have open cases that include top and bottom protective lids.
- Models R200B and R201B include E700L security escutcheon.
- Models R100B and R101B include E300L security escutcheon.
- Locks with rounded edge faceplate and strike plates are also available.
- Single hole strike plates are also available (One single hole in the strike for the four roller bolts)
- Panic model also available (R20AB).

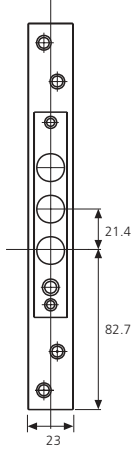


R201B




R101B




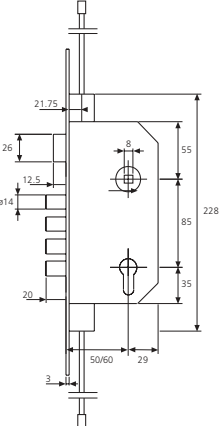


- Single hole strike plates are also available (One single hole in the strike for the four roller bolts)
- Panic model also available (R20AB).


 1/10 units

TESA
TCB series




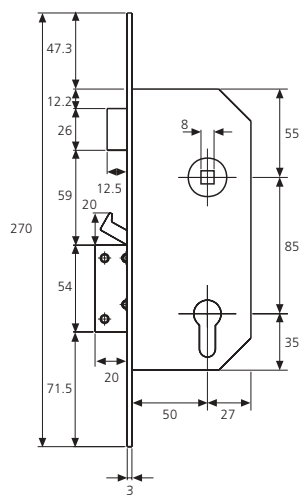
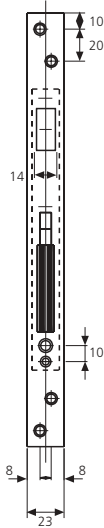

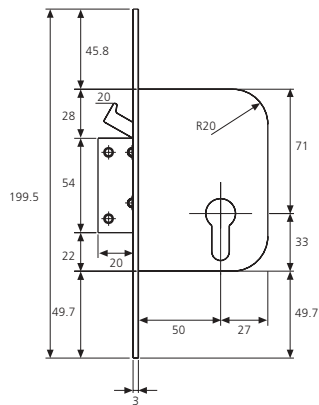
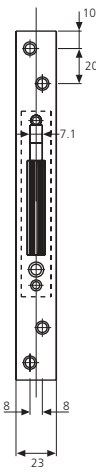


- Special lock for metallic profile doors with top-jamb and floor locking by means of M8 threaded bars.
- Four roller bolts in nickel plated steel. Ø 14mm. diameter.
- Mechanisms protected in zinc plated steel closed case
- E700L security escutcheon. Anti-drill and anti-extraction attack.
- Panic model also available (TCBA).


 1/10 units



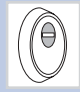
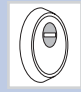

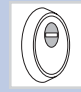
12 / SE

Single point mortise locks

TESA	<i>R200N/R201N series</i>	
		
R200N		
		
R201N		

- Saw-resistant deadbolt reinforced with tempered steel plates and hardened steel security hook.
- Deadbolt throw: 20mm.
- Mechanisms protected in zinc plated steel closed case.
- R201N has open case that includes top and bottom protective lids.
- E700L security escutcheon. Anti-drill and anti-extraction attack.
- Solid brass faceplate and brass plated strike plate.
- Also available with nickel plated faceplate, strike plate and security escutcheon.
- Locks with rounded edge faceplate and strike plates are also available.

 1/10 units

Finishes	R200N/ R201N		R200B/ R201B/ R20AB		R100B/ R101B	TCB/ TCBA
Faceplate	LT	LN	LT	LN	AE	LT
Strike plate	HL	HN	HL	HN	AE	HL
Lock case	Zinc plated	Zinc plated	Zinc plated	Zinc plated	Galvanised steel	Zinc plated
Security escutcheon	 E700L	 E700L	 E700L	 E700L	 E300L	 E700L

Multipoint rim locks

TESA

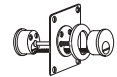
TS30 / TS50 series

- Saw resistant deadbolts include tempered steel plates.
- Reinforced steel strike cases prevent crowbar attack.
- Floor & top jamb locking bolts manufactured in hardened steel. Floor & top jamb strikes in reinforced steel. Floor strike includes dust proof lid.
- Connecting rods hidden under rod covers.
- Anti-Drill and anti-extraction attack ESTS security escutcheon.
- Standard rim cylinder fits door widths up to 48mm.
- Adjustable length rim cylinder models possess an indented connecting bar that can be easily cut to the desired length and reaching up to 80mm. door width.



ESTS

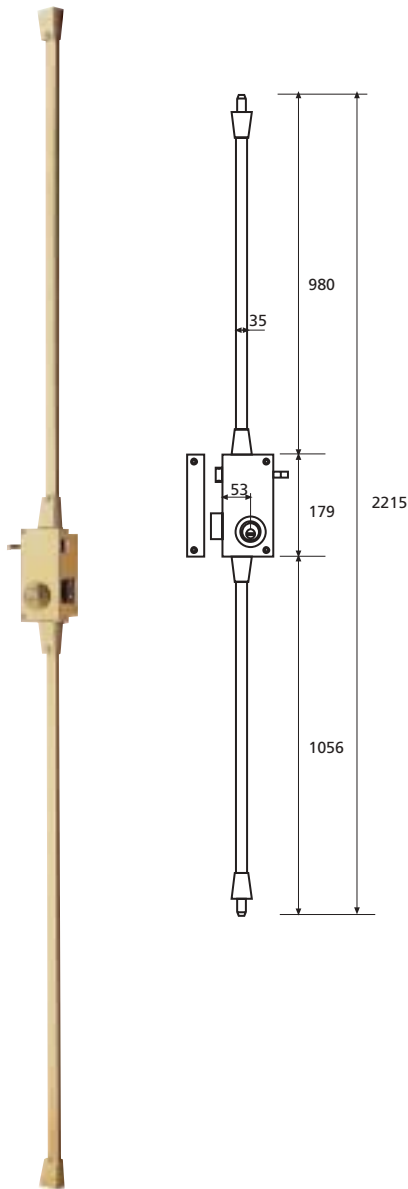
- Latchbolt is retracted with the key from the outside and with the pull-handle from the inside.
- Lock cases and rod covers are finished in gold enamelled steel.
- ESTS security escutcheon finish is satin brass.



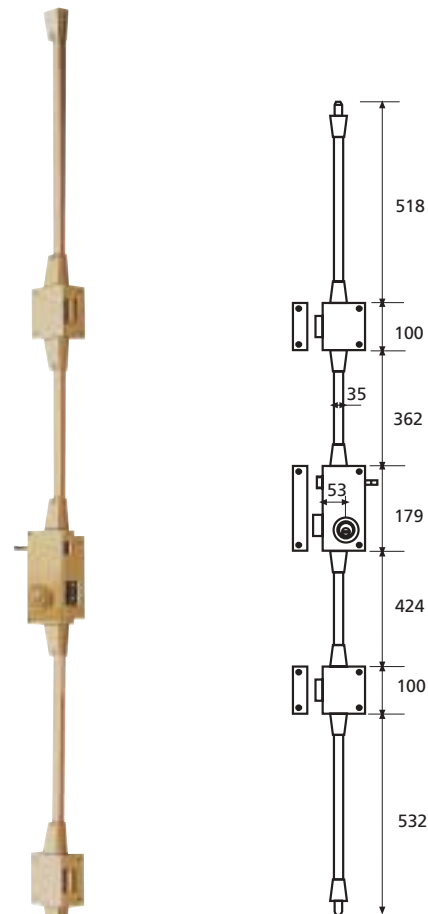
T1TS



1/4 units



TS30



TS50

The maximum door height of 2460mm. is reached by means of the rod extension supplements STS3 and STS5.

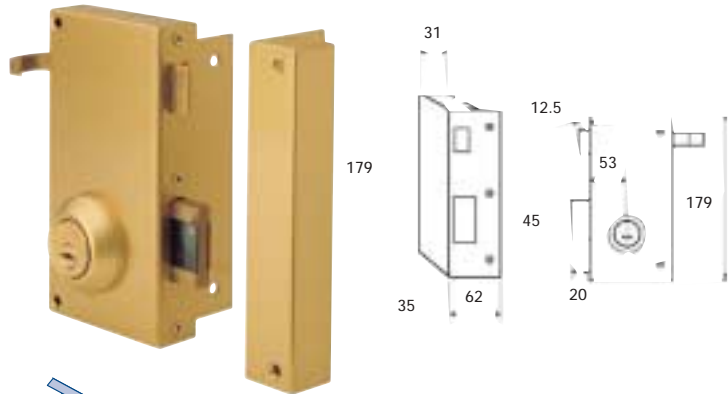
Door height	TS30	TS50
Minimum	1850	1875
Maximum	2215	2140
Special maximum	2460	2460
Finished	AE/AC	AE/AC

Single point rim locks

TESA

TS10 series

- Saw resistant deadbolt includes tempered steel plates.
- Reinforced steel strike case prevents crowbar attack.
- Anti-Drill and anti-extraction attack ESTS security escutcheon.
- Standard rim cylinder fits door widths up to 48mm.
- Adjustable length rim cylinder models possess an indented connecting bar that can be easily cut to the desired length and reaching up to 80mm. door width.
- Latchbolt is retracted with the key from the outside and with the pull-handle from the inside.
- Optionally, a 3TTS handle set is available for installation on the outside. This will prevent the ESTS security escutcheon from being installed.
- Lock case and staple are gold enamelled steel finished.
- ESTS security escutcheon finish is satin brass.



TESA

Serie 2101

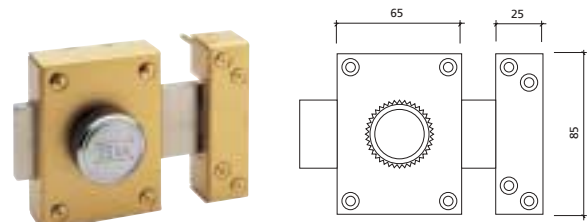
TESA rim locks are the ideal complement to improve the security grade of any door..

Functions:

- 2101: Thumbturn inside, key outside.

Features:

- Nickel plated steel deadbolt.
- Reinforced steel strike case prevents crowbar attack.
- Mechanism is protected inside a closed steel case.
- Standard rim cylinder fits door widths up to 48mm.
- 2101 model is equipped with TE-5 cylinder.
- Finish can be chosen between gold or light grey enamelled steel.



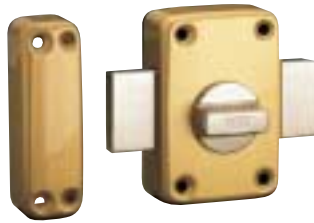
2101 Instalación



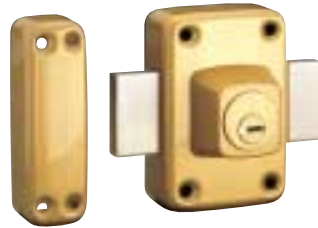
Single point rim locks

TESA

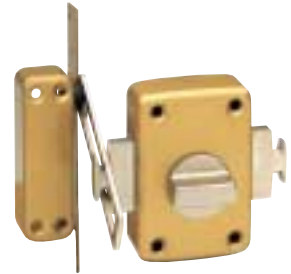
Rim locks



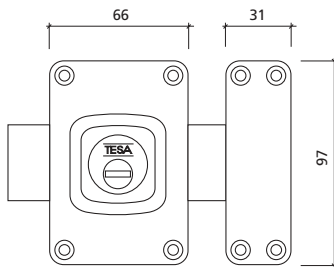
2110



2111



2112



2110/ 11/ 12

TESA rim locks are the ideal complement to improve the security grade of any door.

Functions

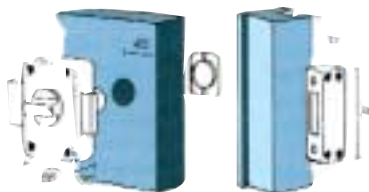
- 2101 & 2110: Thumbturn inside, key outside.
- 2111: Key at both sides.
- 2112: Thumbturn inside and key outside plus automatic door retainer.

Features

- Nickel plated steel deadbolt.
- Reinforced steel strike case prevents crowbar attack.
- Mechanism is protected inside a closed steel case.
- Anti-Drill and anti-extraction attack ESTS security escutcheon is standard equipment in all models with security cylinders. ESTS escutcheon finish is satin nickel.
- Standard rim cylinder fits door widths up to 48mm.
- Adjustable length rim cylinder models possess an indented connecting bar that can be easily cut to the desired length and reaching up to 80mm. door width.
- 2101 model is equipped with TE-5 cylinder.
- The rest of the models can be ordered with TE5, T60, T80 and T10 rim cylinders.
- Finish can be chosen between gold or light grey enamelled steel.



Standard cylinder length for doors from 40 to 50 mm.

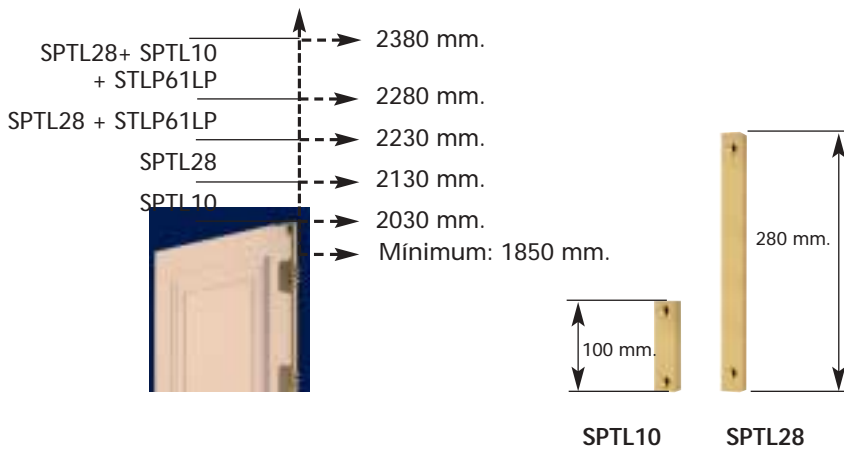
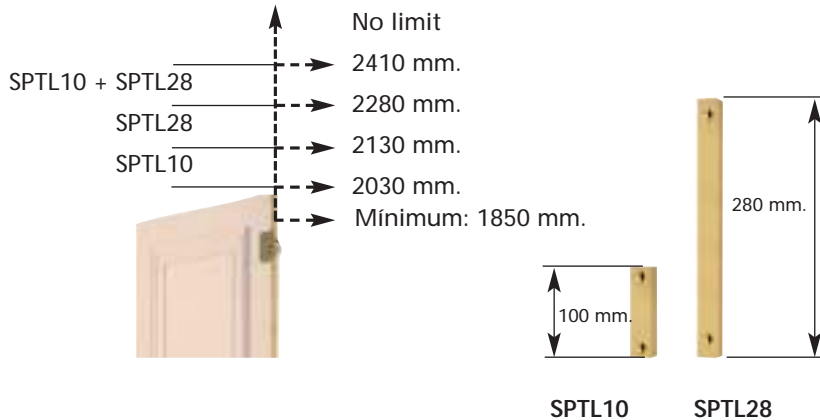


2110/11/12

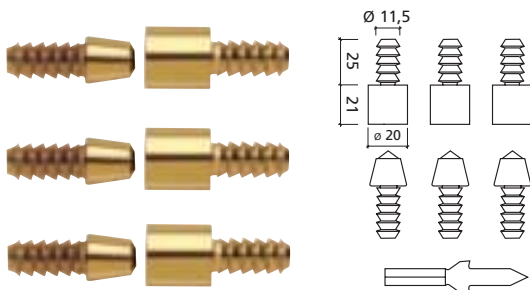
Supplements

TESA Face plate extension supplements

Face plate extensions SPTL10 and SPTL28 allow extending the face plate length up to any door size with mortise multipoint locks without top jamb locking bolt. Using the STLP61LP top jamb locking bolt rod extension allows reaching 2.460mm. in the T2B5, TLB5, TLPS5 and TLPN5 models.

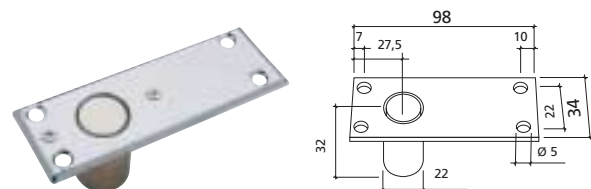


TESA RB03 - Hinge reinforcement bolts



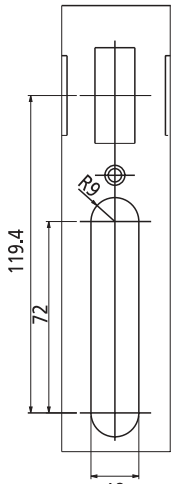

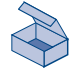
- The RB03 set consists of three pairs of solid steel bolts to be mortised both in the door leaf and frame at the hinged edge of the door. This provides greater protection against saw and crowbar attack.
- Installation drill bit is included.

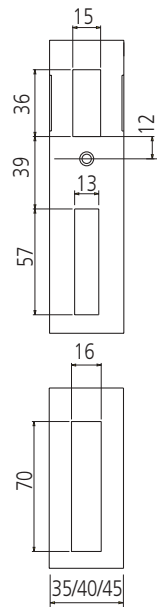

TESA GUARPOLP/HC - Floor strike with dust proof lid



- The GUARPO is the standard floor strike in the mortise and rim security locks equipped with top jamb and floor locking bolts: T2B5, TLB5, TLPS5, TLPN5, TS30 and TS50 series locks.
- It possesses a spring-loaded protective lid that prevents dust from getting into the strike hole.
- Brass plated (GUARPOLP) or nickel plated (GUARPOHC) finishes available.

Full size strike plates

TESA	<i>Roller bolts</i>					
<p>The strike holes for each roller bolt has a vertical play of 5,4mm. to prevent interference due to possible door dropping.</p> <p>Strikes with a single hole for each set of roller bolts are also available optionally. (CB3NC).</p>		Locks with three frontal locking points (TLB3)				
		Model	Width	Finish		
		CB3N: Standard strike plate				
		CB3N	35	AE/ HN		
		CB3N	40	AE/ HL/ HN		
		CB3N	45	AE/ HL/ HN		
		CB3NC: Single holes for each bolt set				
		CB3NC	40	AE/ HN		
		CB3NC	45	AE/ HN		
		CB3N5: 2.035mm. length version				
		CB3N5	40	AE/ HN		
		CB3N5	45	AE/ HN		
		CB3R: Adjustable latch strike				
		CB3R	40	AE		
		CB3R	45	AE		
				Locks with floor & top jamb locking bolts (TLB5)		
				Model	Width	Finish
		CBAN: Standard strike				
		CBAN	35	AE		
		CBAN	40	AE/ HL/ HN		
		CBAN	45	AE/ HL/ HN		
		CBANR: Adjustable latch strike				
		CBANR	40	AE		
		Locks with five frontal locking points (TLBF)				
		Model	Width	Finish		
		CB5F: Adjustable latch strike				
		CB5F	40	AE/ HL		
		CB5F	45	AE		
						
		 8 units				
		Detail of the latch horizontal adjustment and the closed box strike.				
		The full size strike plates with adjustable latch strike ease the latch horizontal fitting adjustment. These strikes also possess a closed steel striking box for the main lock, which provides a greater security level, as they prevent crowbar attack.				

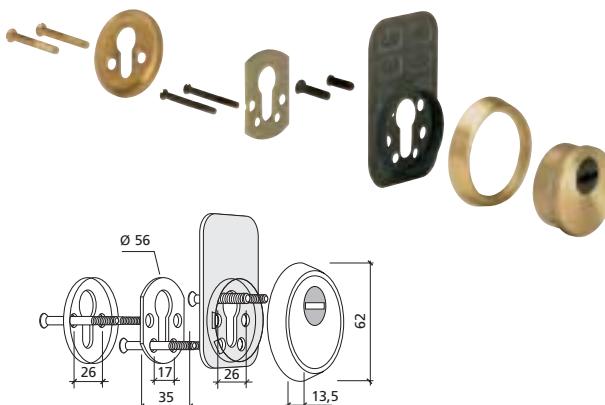
TESA	<i>Deadbolts</i>					
		Locks with 3 frontal locking points (TLPS3, TLPN3)				
		Model	Width	Finish		
<div style="display: flex; flex-direction: column; align-items: center;"> <div style="margin-bottom: 20px;">Main lock</div> <div style="margin-bottom: 20px;">Auxiliary lock</div> </div>		CL3N: Standard strike plate				
		CL3N	35	AE/ HN		
		CL3N	40	AE/ HL/ HN		
		CL3N	45	AE/ HL/ HN		
		CL3N5: 2.035mm length version				
		CL3N5	40	AE/ HN		
		CL3N5	45	AE/ HN		
		CL3R: Adjustable latch strike				
		CL3R	40	AE		
		CL3R	45	AE		
				Locks with floor & top jamb locking bolts (TLB5)		
				Model	Width	Finish
				CLAN: Standard strike		
				CLAN	35	AE
				CLAN	40	AE/ HL/ HN
		CLAN	45	AE		
		CLANR: Adjustable latch strike				
		CLANR	40	AE		
		CLANR	45	AE		
		Locks with five frontal locking points (TLBF)				
		Model	Width	Finish		
		CL5R: Adjustable latch strike				
		CL5R	40	AE/ HL		
		CL5R	45	AE/ HL		
		 8 units				

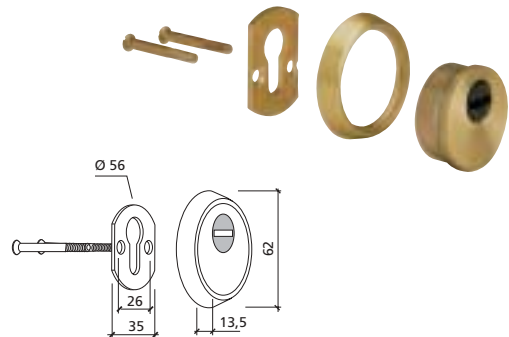
Short strike plates


TESA Roller bolts	
<p>37.5 20 20 36 15 56 97.5 21.4 17 112.1 20 20 25</p> <p>CCBR200</p>	<p>37.5 92.6 16 102.5</p> <p>CCBR200 (single hole)</p>
<p>Suitable for R200B, R100B and TCB single point locks and the main locks of roller bolt multipoint locks.</p> <p>Finishes: AE/HL/HN.</p>	
20 units	
20 units	
<p>Suitable for R201B and R101B single point locks, and the auxiliary locks of roller bolt multipoint locks.</p> <p>Finishes: AE/HL.</p>	
20 units	


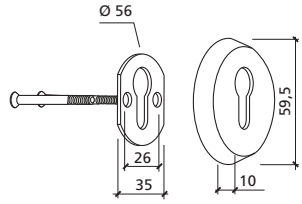
TESA Deadbolts	
<p>37.5 25 20 20 36 15 56 39.8 13 73.4 300 100.8 20 20 20 8</p> <p>CCPR200</p>	<p>37.5 25 100.8 73.4 13 24.3 20 20 20</p> <p>CCPR200</p>
<p>Suitable for R200N single point locks and the main locks of deadbolt multipoint locks.</p> <p>Finishes: AE/HL/HN.</p>	
20 units	
20 units	
<p>Suitable for R201N single point lock, and the auxiliary locks of deadbolt multipoint locks.</p> <p>Finishes: AE/HL.</p>	
20 units	

Security escutcheons for mortise locks

TESA®	E700
	
<ul style="list-style-type: none"> • Escutcheon nucleus: Four stamped steel plates (2mm. each plate). • Plug covering lid in hardened steel. • Tempered steel plate for lock mechanism protection. • Six hardened steel screws for escutcheon fixing. • Laminated steel back fixing plate has 4mm. width. • The E700X special model will be required for use in combination with STS security cylinders: IX and CS systems. • Finishes: Satin brass and nickel plated brass. 	

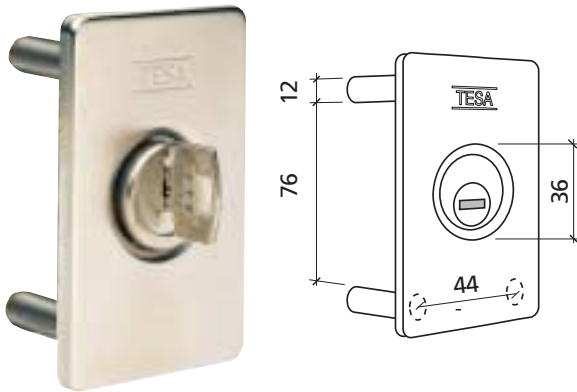
TESA®	E700L
	
<ul style="list-style-type: none"> • Escutcheon nucleus: Two stamped steel plates (2mm. each plate). • Plug covering lid in hardened steel. • Two hardened steel screws for escutcheon fixing. • Laminated steel back fixing plate has 4mm. width. • Finishes: Satin brass and nickel plated brass. 	

TESA®	E900	
		
<ul style="list-style-type: none"> • Both the internal and the external parts in the E900 weather proof escutcheon have received special platings. • The final result is a product that easily exceeds 500 hours under a salt spray with corrosion power as specified in the pan-European standard EN1670. This means doubling the highest level in the pan-European EN1670 standard (grade 4: 240 h.) • Plug covering lid has been given a 19 µm nickel plating and an additional µm of chrome plating • The brass outer shell in the escutcheon nucleus and the revolving brass ring has received a 19 µm nickel plating, one µm of gold plating and, a 15 µm LEC treatment and, finally, more than 80 µm of epoxy varnish. 		

TESA®	E300
	
	
<ul style="list-style-type: none"> • Anti-extraction solid brass exterior escutcheon. • Two hardened steel screws for escutcheon fixing. • Laminated steel back fixing plate has 4mm. width. • Finishes: Satin brass and nickel plated brass. • Very easy installation. 	

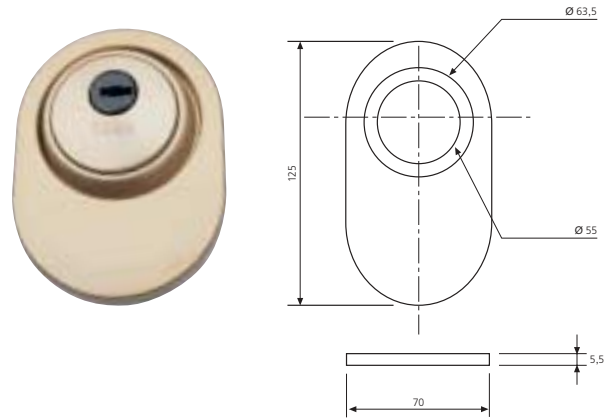
Security escutcheons for rim locks

TESA Security escutcheon



- Exterior protective escutcheon possesses a 4mm. thick tempered steel plate.
- Four fixing rods in hardened steel.
- Cylinder cover in nickel plated steel.
- Plug covering lid in 3mm. thick nickel plated steel.
- Exterior brass cover can be either satin brass or nickel plated finished.

TESA Security escutcheon



- A practical complement that improves aesthetic appearance and prevents the door from being scratched with the key movements.
- Compatible with any TESA security escutcheon for mortise locks.

TESA High security escutcheon



- Handy complement for the E-800 protection strike, with the E700 being liable to be adapted as well.
- Protection strike with 6 mm. thick tempered steel plate and block anchoring crossing both the door and the lock. Guarantees huge resistance to attacks.
- Bolts or fixing rapiers in improved steel.
- Fixing is done with two improved M6 screws.
- Cover or embellishing strike that covers the plate and enhances the aesthetics of the whole.



Talleres de Escoriaza, S.A. Barrio Ventas, 35 E-20305 Irun (Gipuzkoa)
Tel.: +34 943 669100 Fax: +34 943 622189 Fax export: +34 943 633221 www.tesa.es